

Soft Slicing Machine

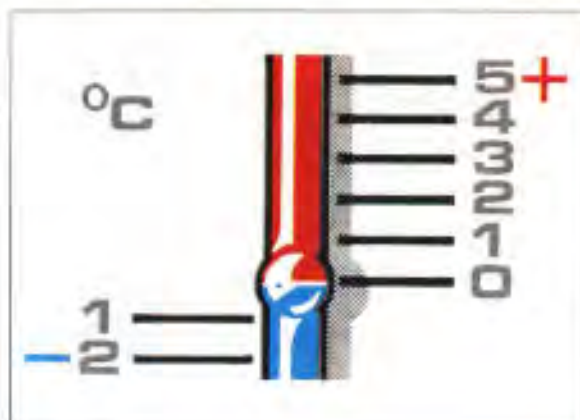
The new dimension in slicing technology

Our range of soft salmon slicers is now complimented with our new single laned WSM 75 E slicer designed to slice soft our unfrozen products.

A high performance machine only requiring a modest investment.

The fillet is automatically fed through the slicing mechanism and the sliced fillet is placed neatly onto packing trays. The whole operation of the machine can be carried out by one operative.

The WSM 75 E achieves, with its single lane, a slicing capacity of up to 60 slices per minute.



Equipment features:

- even and precise single lane feeding system for fillets of up to 3 kg with 245 mm width
- clean slicing with oscillating/reciprocating knives
- adjustable slice-thickness during operation
- adjustable cutting angle
- neatly reconstituted sliced fillets are placed on packing trays
- quick and easy hygienic cleaning
- only one operator required
- robust industrial design with the needs of the food processing business in mind
- indispensable to keep ahead in the market

WSM 75 E



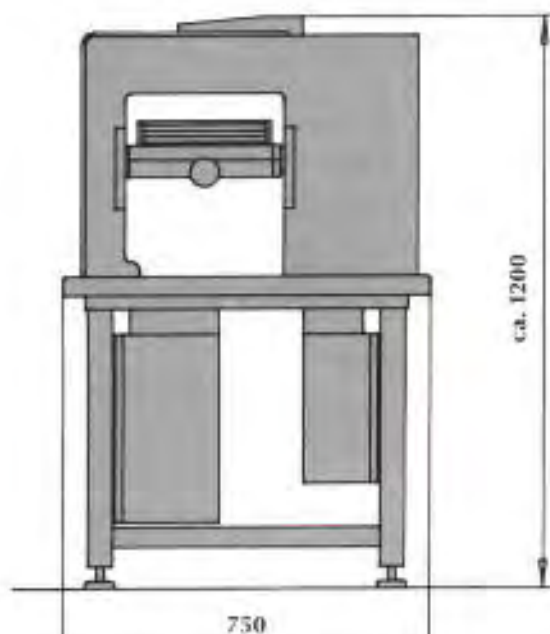
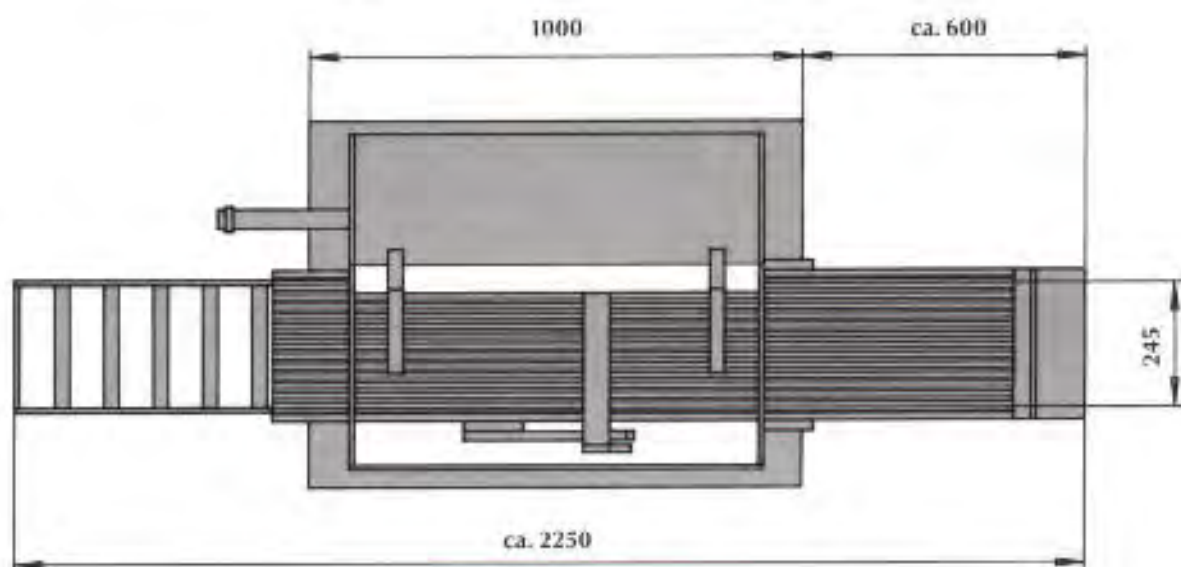
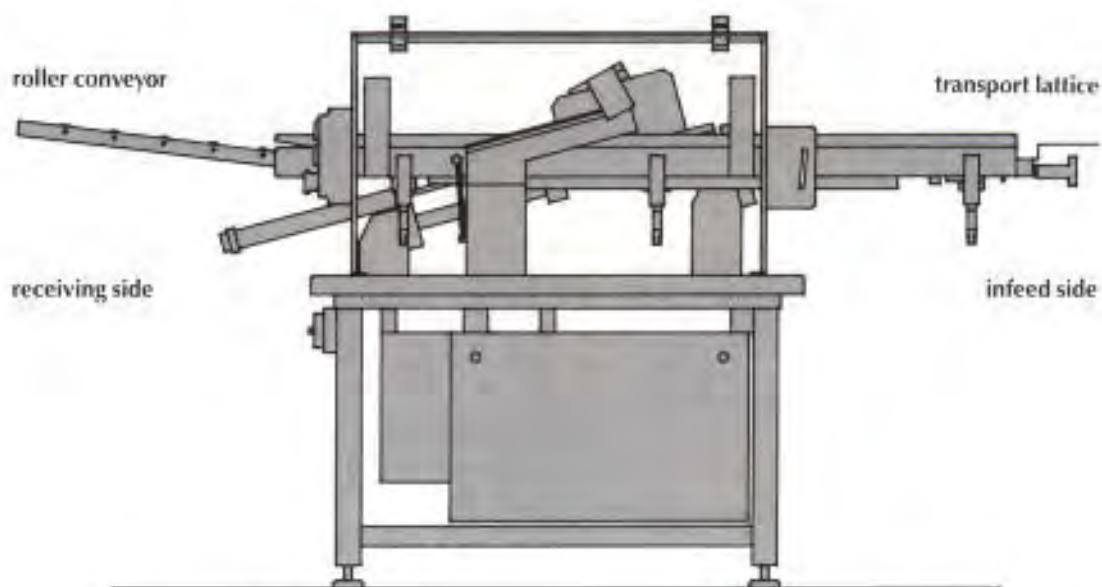
For further information
please contact us:

GEBA

SCHNEIDMASCHINEN · MASCHINENBAU

GEBA-Gerätebau GmbH
Feldmühlenweg 6-10
D-49593 Bersenbrück
Tel. (54 39) 9443-0
Fax (54 39) 9443-40

WSM 75 E



Technical data:

Weight	180 kg
Oscillating knife length	335 mm
Slice angle	10°-17° 13°-21° 31°-38°
Slice thickness	1,5-4,5 mm 1,5-5,5 mm 1,5-10 mm
Slices per minute	up to 60
Compressed air supply	350 l/min. output at 8 to 10 bar

Electrical data:

Power supply	single phase current, 210-240 V
Power	0,55 kW
Frequency	50 Hz/60 Hz

GEBA

SCHNEIDMASCHINEN - MASCHINENBAU